

## ***markilux 893***

The triangular shading system for those special situations

# **markilux 893**

## The triangular shading system for those special situations

### **design features**

- the teardrop-shaped aluminium cassette and the beautifully crafted guide tracks of this triangular shading system fit in perfectly with virtually any given situation and melt harmoniously into the façade.
- when retracted the cover is protected from the weather by the cassette, which encloses it completely.
- for long-lasting attractiveness the awning has been powder coated.
- awning covers made from acrylic yarns or sunsilk SNC with self-cleaning effect.
- in the case of manual operation with a markilux stainless steel winding handle - quality to get to grips with

### **technical highlights**

- sturdy, self-supporting cassette made of extruded aluminium
- extremely solid, stainless steel side plate sheathed in plastic and powder coated
- fitted with a motor as standard
- for ease of fixture a comprehensive selection of brackets is available.
- brackets with patented clip-on mechanism for simple, problem-free fixture of the blind

### **optional accessories**

- radio-controlled motor with radio remote control for ease of use
- an easily installed, radio control sun and wind sensor guarantees comfort and a degree of safety.

- The spring-loaded tensioning system in the guide tracks ensure that the cover is always under optimum tension · Is suitable for use as both exterior and interior solar protection



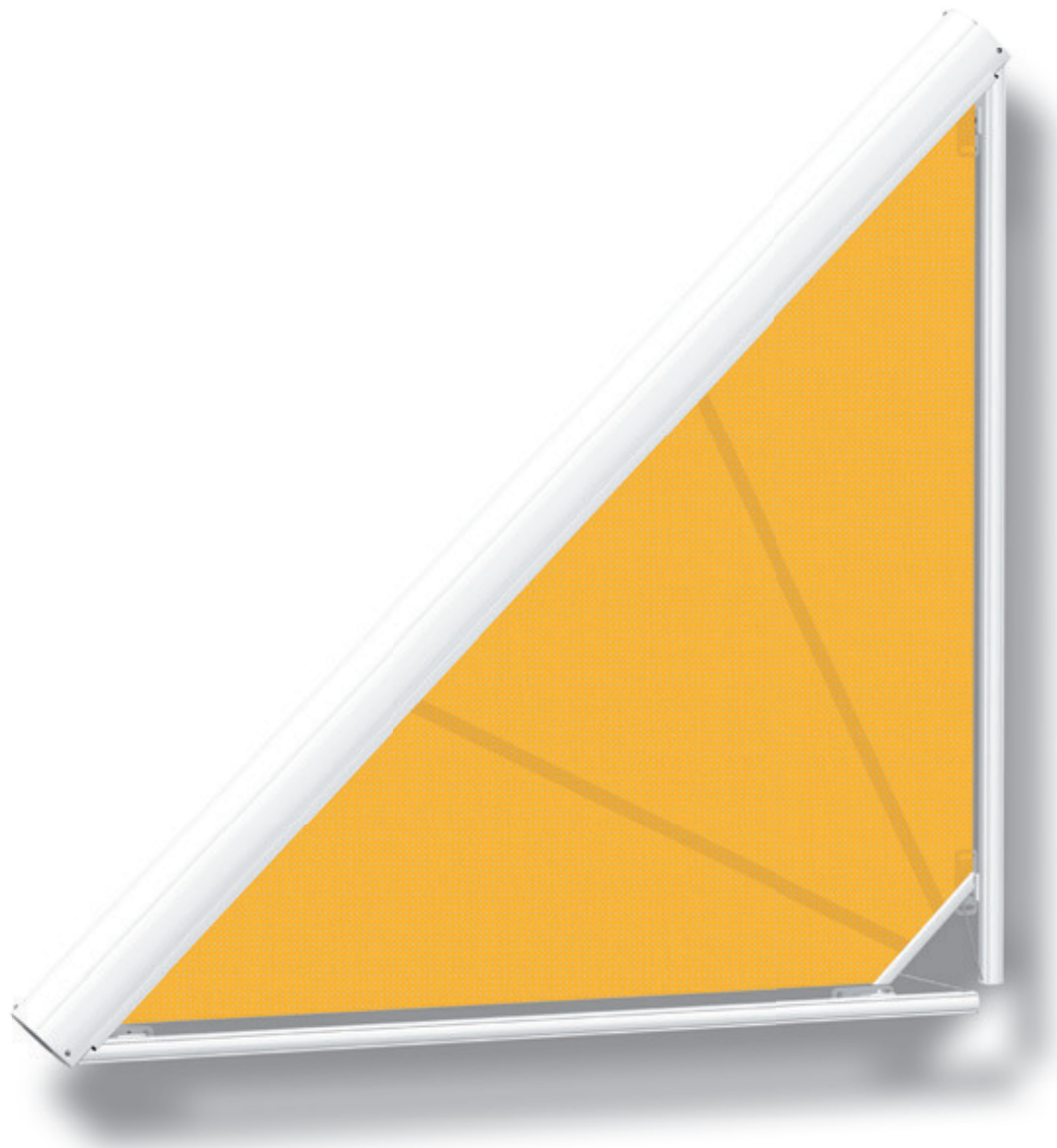
The cassette with brush seal protects the cover from the ingress of dirt when it is retracted



Rounded cassette and patented clip-on bracket mechanism to connect them to the tracks



Guide tracks with extremely high tensile strength tensioning cords



RAL colours:



optional accessories:



## dimensions and configuration options

Drop	Overall blind width					
	150	200	250	300	350	400
	75-150	151-200	201-250	251-300	301-350	351-400
100						
150						
200						
250						
300						
350						
400						
450						
500						

dimensions in cm

- = available, 2 brackets per track
- = available, 3 brackets per track

operation type	
manual operation; handle with bayonet fitting	–
manual operation from inside the building	–
manual operation from the rear	–
motor	●
radio-controlled motor	○
covers	
acrylic 34 (fabric series 341xx-347xx)	● <sup>4</sup>
sunsilk SNC (fabric series 324xx/329xx)	○ <sup>4</sup>
transolair (fabric series 339xx)	●
oversized acrylic (fabric series 349xx)	●
signature (fabric series 369xx)	–
Soltis 92	○
perfortex (fabric series 333xx)	–
transilk FR (fabric series 319xx)	–
perla FR (fabric series 374xx/379xx)	–
miscellaneous	
sun and wind sensor	○
cover profiles for gap between tracks and cover	–
Wedge-in accro bars	–
coupled units	
coupled unit 2 fields	–
coupled unit 3 fields	–

- = fitted as standard
- = optional accessory
- = not available
- <sup>4</sup> = possible in the case of plain fabrics
- <sup>4</sup> = possible in the case of plain fabrics
- <sup>6</sup> = cover seamless; from a fixture width of 178cm and a unit height of 170cm with horizontal seam(s)

If it is to be fitted **outside**: please give the dimensions and the operation side as seen from the outside.

If it is to be fitted **inside**: please give the dimensions and the operation side as seen from the inside.

When ordering please always fill in the **dimension sheet for the markilux 893**. On the basis of this we will make a production drawing. The order is complete only when this drawing has been signed off by you.

In the case of triangular covers the colour of each individual segment may be perceived to be different from the others because of the angle at which light hits it.

**Extension of motor-driven units** takes approximately 24 seconds per metre.

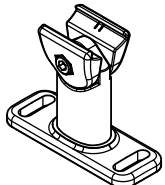
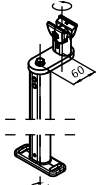
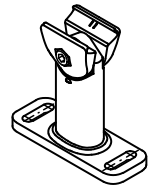
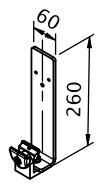
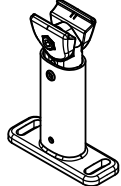
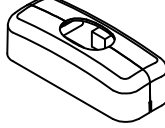

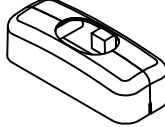
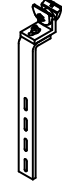
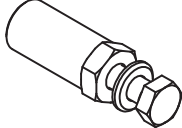
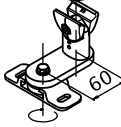
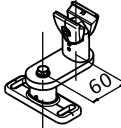
**N.B!** If the motor is used continuously it will stop automatically after 3 to 4 minutes to prevent overheating.

In the case of a **bank of awnings operating simultaneously**, the same speed of rotation of the motors cannot be guaranteed because of the tolerances within the motors themselves.

Soltis 86 is available on request.

frame colours		
	RAL 9016 traffic white	●
	RAL 8019 grey brown	●
	RAL 9006 metallic aluminium	●

fixings and accessories

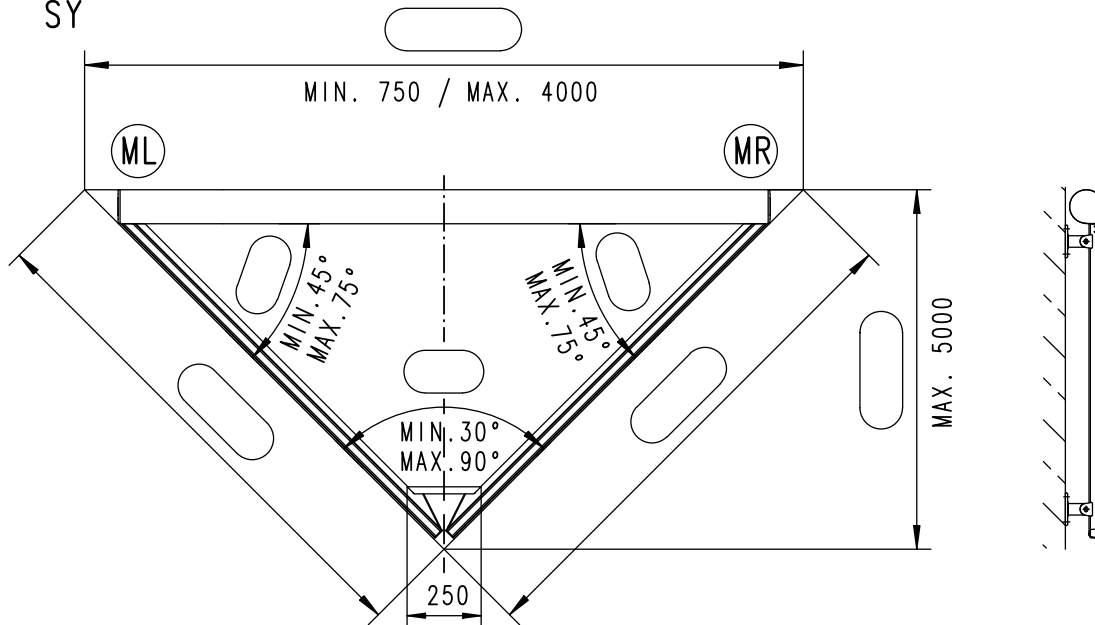
 <p>track bracket with swivel top</p> <p>80 mm</p> <p>78451.</p>	 <p>universal track bracket</p> <p>140 - 500 mm</p> <p>78545.</p>
 <p>track bracket with swivel top</p> <p>100 mm</p> <p>78538.</p>	 <p>60</p> <p>260</p> <p>bracket for sun, wind and rain sensor</p> <p>78547.</p>
 <p>track bracket with swivel top</p> <p>140 mm</p> <p>78539.</p>	 <p>decorative cap assembly for track bracket</p> <p>in the case of: 78451x, 78538x, 78543x</p> <p>76603.</p>
 <p>track bracket with swivel top</p> <p>100 - 500 mm</p> <p>78540.</p>	 <p>decorative cap assembly for track bracket</p> <p>in the case of: 78539., 78540., 78545., 78658.</p> <p>76604.</p>
 <p>flat track bracket with swivel top for lateral fixture</p> <p>78546.</p>	 <p>reducing bolt assembly M 10 - M 6 / SW 13</p> <p>30mm length (e.g. in the case of external insulation, instructions for use v. the chapter "Technical Information")</p> <p>753211</p>
 <p>universal track bracket</p> <p>80 mm</p> <p>78542.</p>	
 <p>universal track bracket</p> <p>100 mm</p> <p>78543.</p>	

. = insert RAL colour code no.

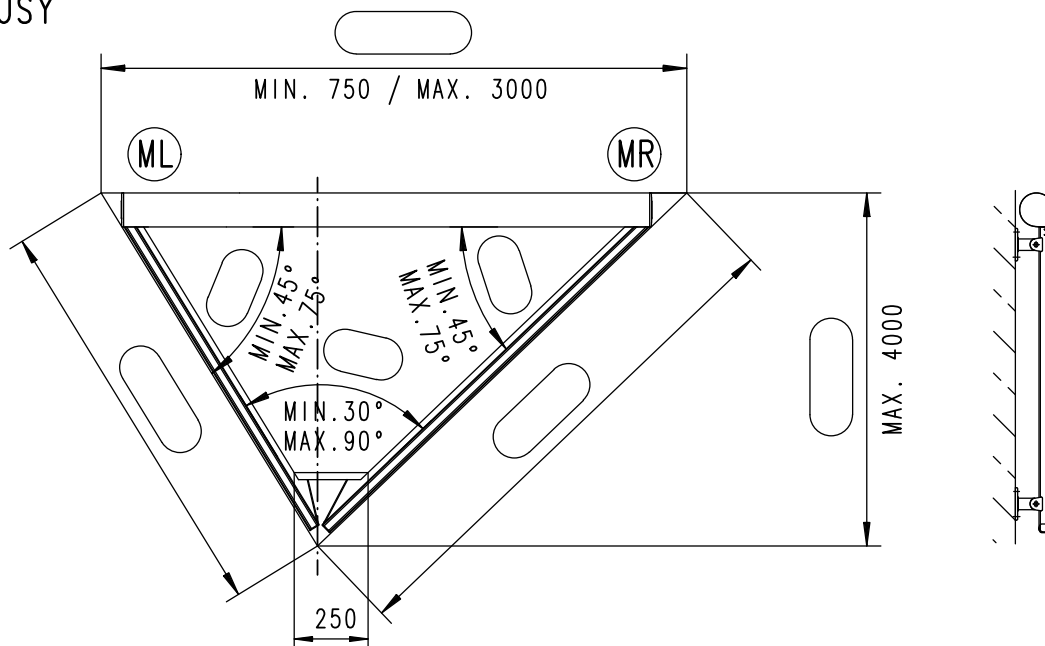
**Dimension sheet triangular solar shading system  
(dimensions may deviate slightly)**

Please enter all three side lengths or two side lengths and one angle!

① SY



② USY

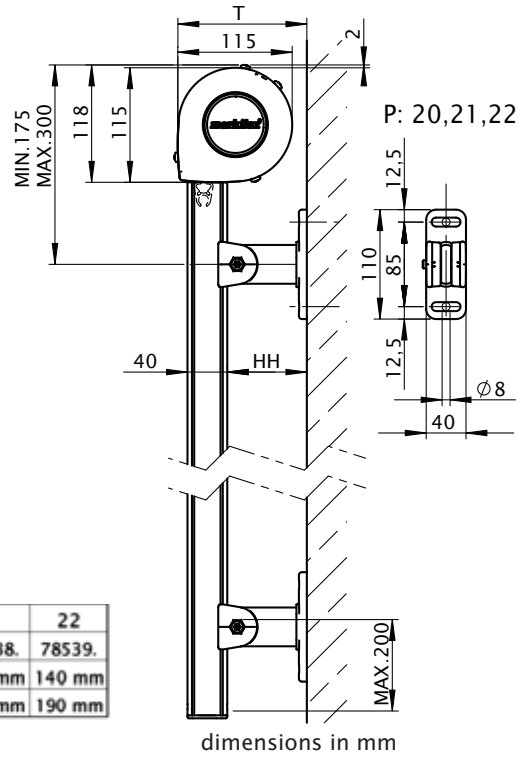


dimensions in mm

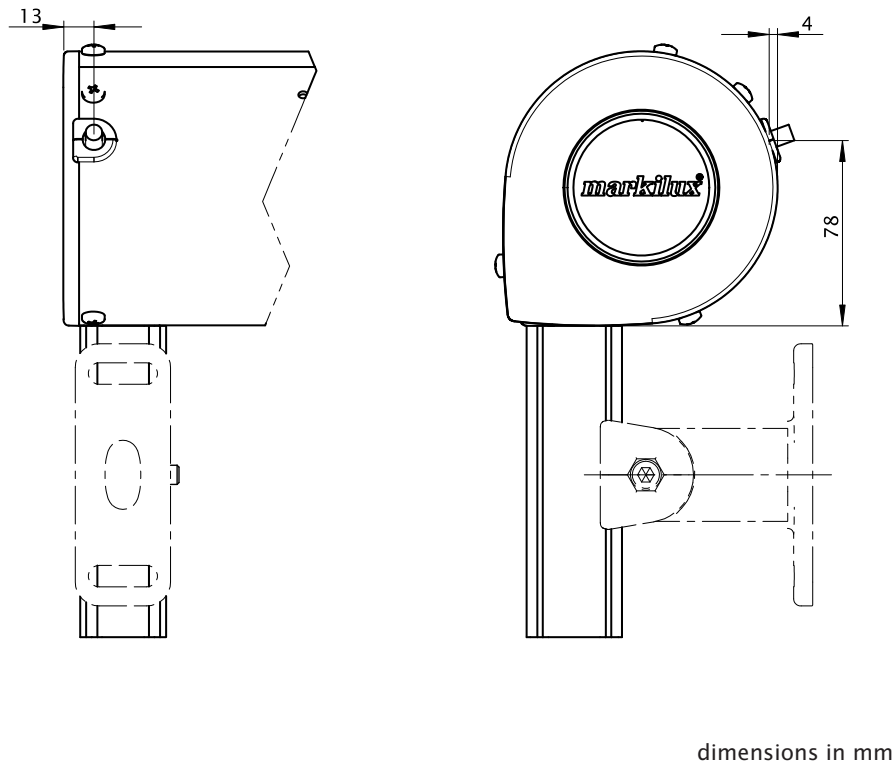
SY = Symmetrical  
USY = Asymmetrical  
ML = Motor on the left  
MR = Motor on the right

# How to fit the markilux 893

## Fixture



## Cable exit on motor-driven units



P = fixture combination  
 HT = bracket  
 HH = fixture bracket height  
 T = Depth